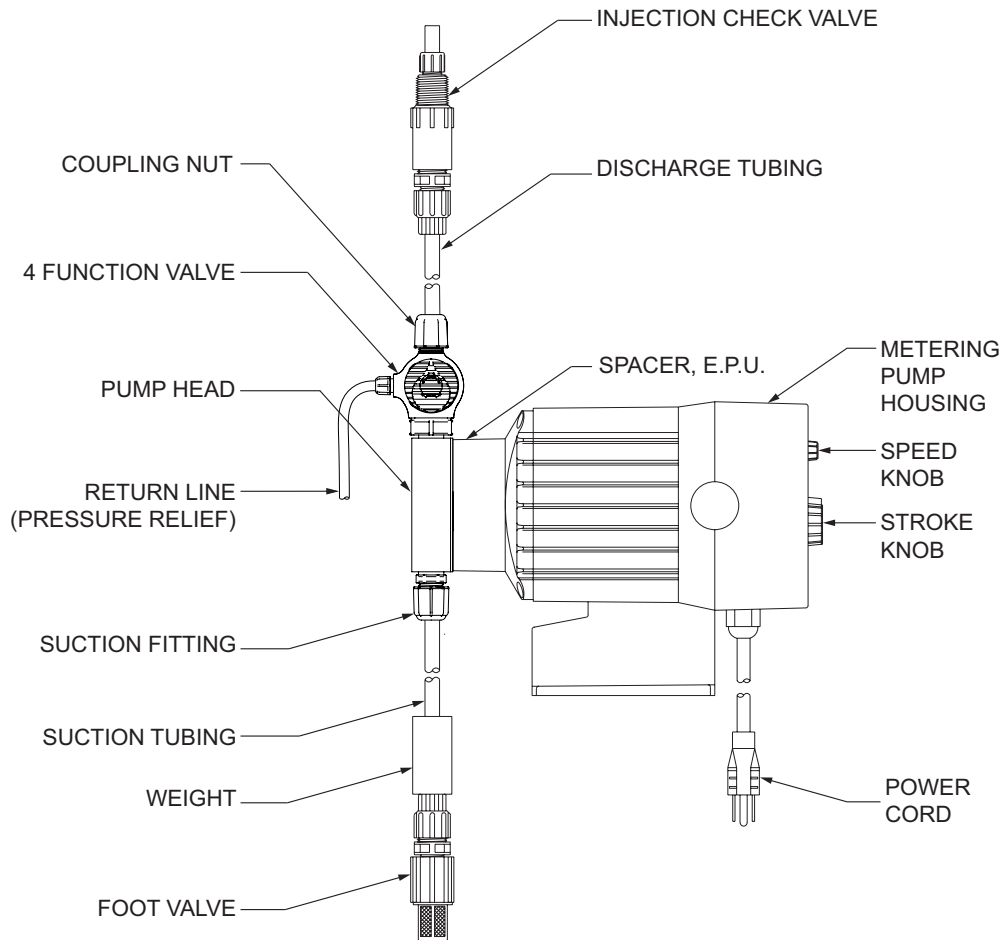




LMI[®]

an Accudyne Industries brand



Metering Pump Component Diagram

Series B7 Electronic Metering Pump Instruction Supplement

Manual No : 1636

Rev. : J

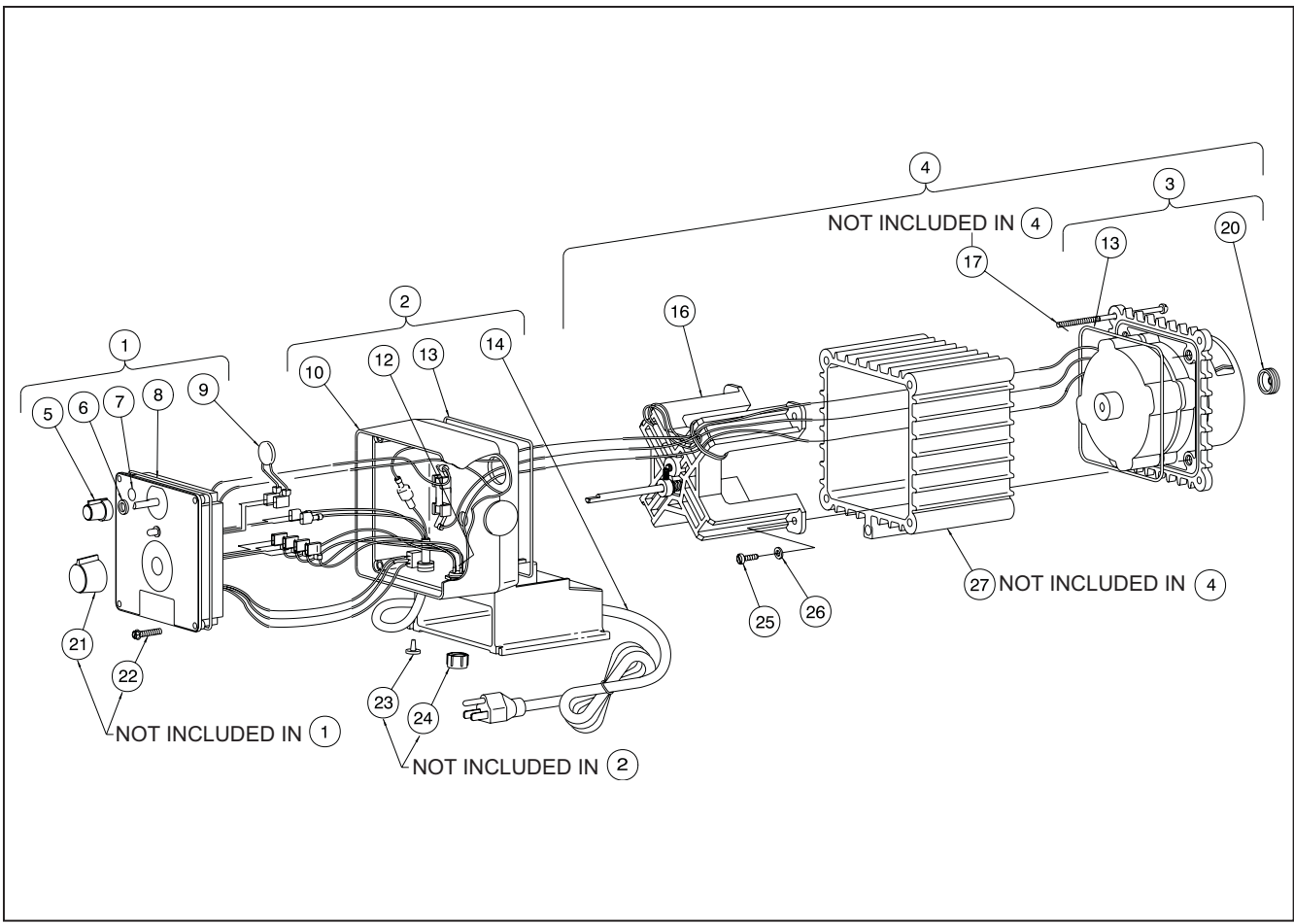
Rev. Date : 10/2015



LMI[®]

an Accudyne Industries brand

SERIES B7 DRIVE ASSEMBLY EXPLODED VIEW DIAGRAM



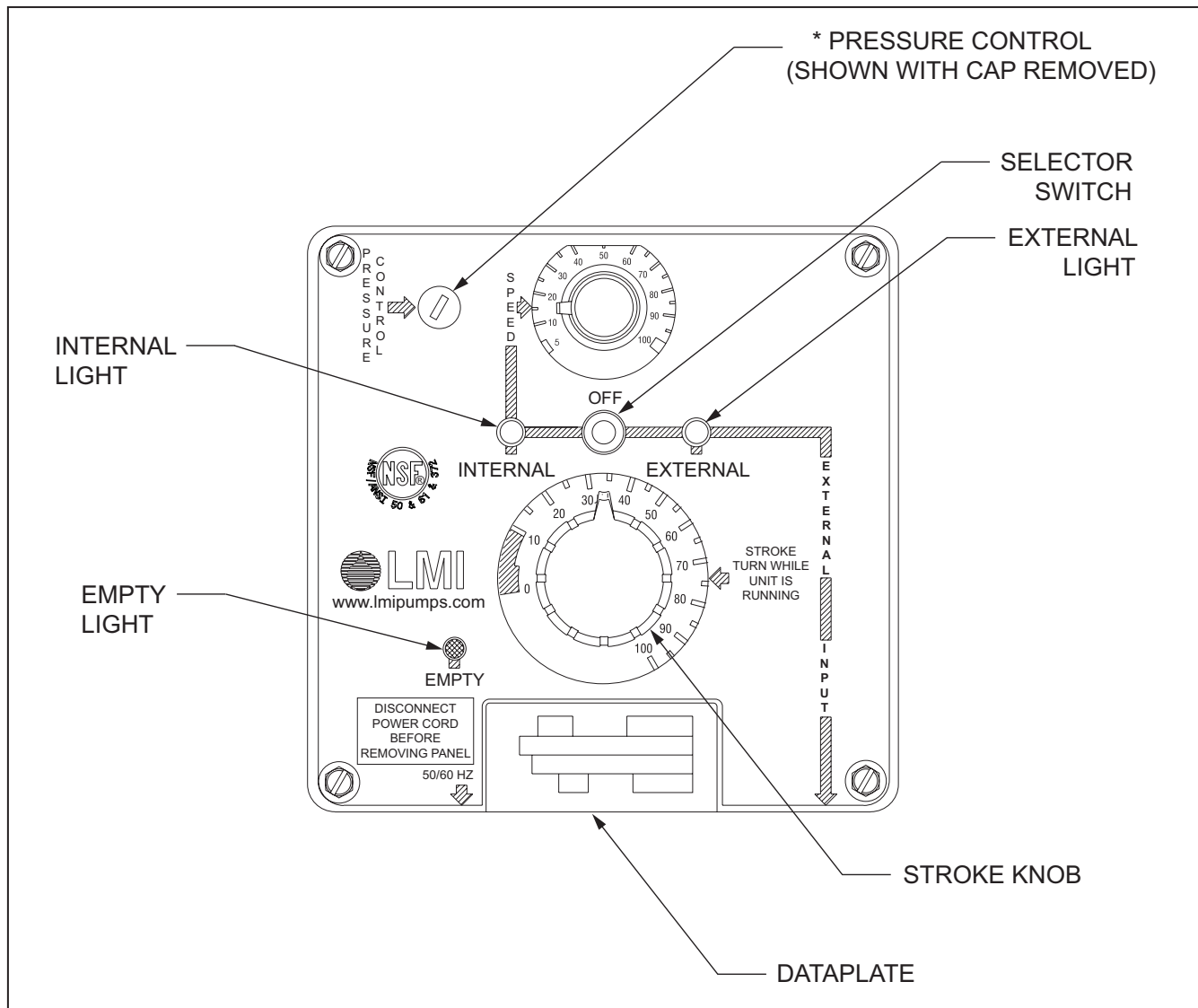
SERIES B7 DRIVE ASSEMBLY PARTS LIST

Key Number	Model Series	Part Number	Description	Qty
1	B711	34093	Control Panel Assembly,120V	1
	B721, B731, B741	33211	Control Panel Assembly,120V	1
	B712, B713, B715, B716, B717	34094	Control Panel Assembly,230V	1
	B722, B723, B725, B726, B727, B732, B733, B735, B736, B737, B742, B743, B745, B746, B747	33212	Control Panel Assembly, 230V	1
				1
1				
2	B711, B721, B731, B741	28970	Housing Assembly, 120V	1
	B712, B722, B732, B742	28980	Housing Assembly, 230V	1
	B713, B723, B733, B743	28981	Housing Assembly, 220-240V DIN	1
	B715, B725, B735, B745	28982	Housing Assembly, 220-240V UK	1
	B716, B726, B736, B746	28983	Housing Assembly, 220-240V AUST	1
	B717, B727, B737, B747	28984	Housing Assembly, 220-240V SWISS	1
3	B711, B721	26893	EPU and Spacer Assembly	1
	B712, B713, B715, B716, B717, B722, B723, B725, B726, B727	26894		
	B731	26897		
	B732, B733, B735, B736, B737	26898		
	B741	29618		
	B742, B743, B745, B746, B747	29619		
3	B711, B721	31927	EPU and Spacer Assembly w/ Stroke Adj.	1
	B712, B713, B715, B716, B717, B722, B723, B725, B726, B727	31928		
	B731	31929		
	B732, B733, B735, B736, B737	31930		
	B741	31931		
	B742, B743, B745, B746, B747	31932		
5	B7	30709	Knob, Push On	1
6	B7	30803	Gasket	1
7	B7	29093	Cap	1
8	B7	10166	O-Ring	1
9	B711, B721, B731, B741	10626	Varistor Assembly, 120V	1
	B712, B713, B715, B716, B717, B722, B723, B725, B726, B727, B732, B733, B735, B736, B737, B742, B743, B745, B746, B747	10627	Varistor Assembly, 230V	1

SERIES B7 DRIVE ASSEMBLY PARTS LIST

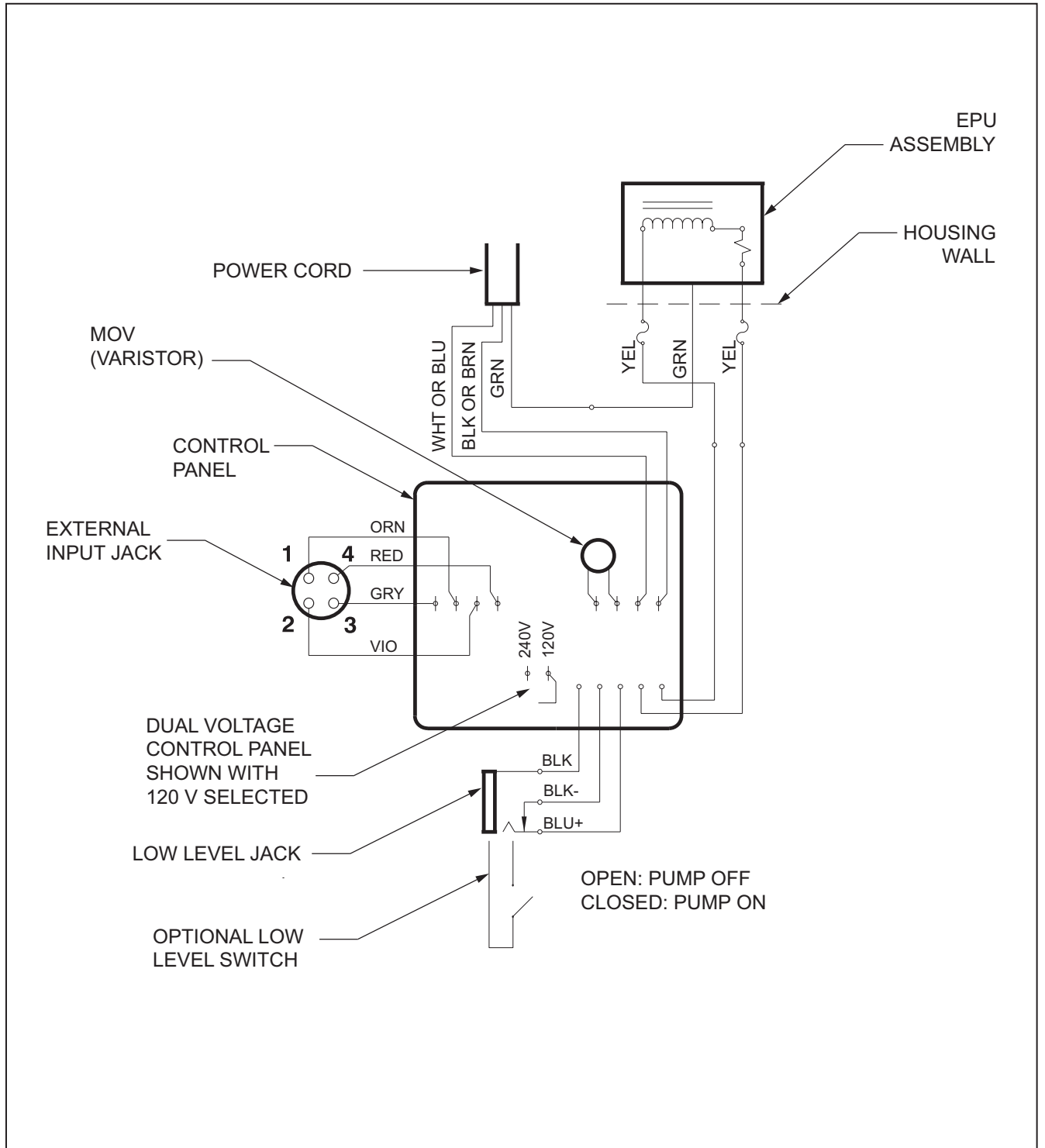
Key Number	Model Series	Part Number	Description	Qty
10	B7	35404-1	Housing	
12	B7	25907	Jack Assembly	1
13	B7	35269	Seal	2
14	B711, B721, B731, B741	26293	Power Cord, 120V	1
	B712, B722, B732, B742	26296	Power Cord, 230V	
	B713, B723, B733, B743	26297	Power Cord, 220-240V DIN	
	B715, B725, B735, B745	26817	Power Cord 220-240V UK	
	B716, B726, B736, B746	26818	Power Cord, 200-240V AUST	
	B717, B727, B737, B747	27701	Power Cord, 220-240V SWISS	
16	B7	31898	Stroke Adjustment Assembly	1
17	B7	25127	Screw 10-24 x 4.56	4
20	B7	10973	Seal	1
21	B7	31891	Stroke Knob	1
22	B7	30306	Screw, Self Tapping	4
23	B7	30307	Plug	1
24	B7	25930	Cap Cover	1
25	B7	10598	Screw	4
26	B7	10415	Washer	4
27	B7	25068	Sleeve	1

SERIES B7 CONTROL PANEL DETAIL



- * To adjust pressure control: Remove yellow cap. With small screwdriver, and the pump running, turn the pressure control adjustment slowly counterclockwise until pump just begins to stall. From this stall point, turn clockwise approximately 30 degrees. This is the optimum pressure control setting for your application.

SERIES B7 WIRING DIAGRAM



We are a proud member of Accudyne Industries, a leading global provider of precision-engineered, process-critical, and technologically advanced flow control systems and industrial compressors. Delivering consistently high levels of performance, we enable customers in the most important industries and harshest environments around the world to accomplish their missions.



LMI® is a registered trademark of Milton Roy, LLC.
© 1997, 2015 Milton Roy, LLC.
Specification to change without notice.

info@lmipumps.com
www.lmipumps.com

